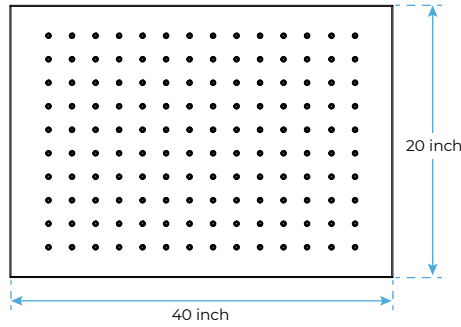


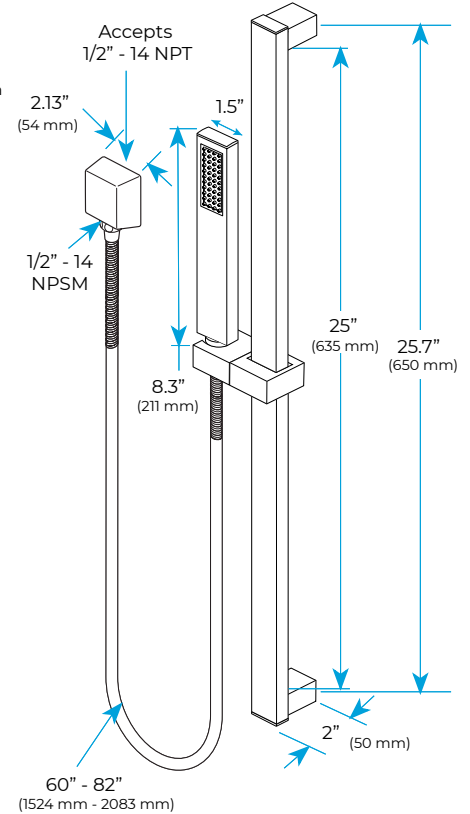
20*40 INCH RAINFALL SHOWER SYSTEM WITH HANDHELD SHOWER AND 3 JETTED BODY SPRAYS SPECIFICATIONS



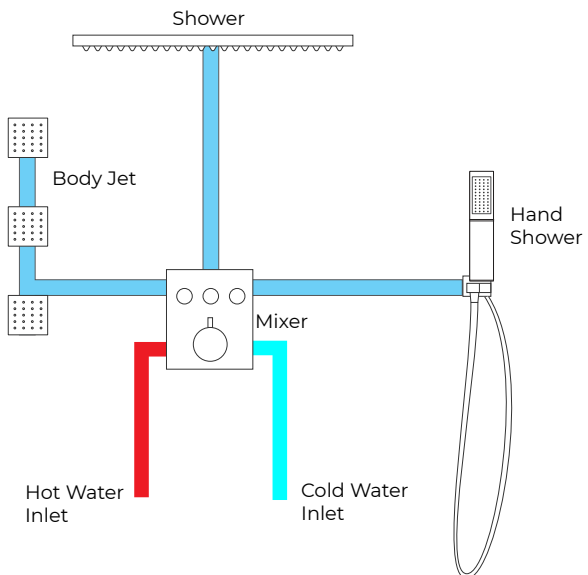
Shower Head



Hand Shower

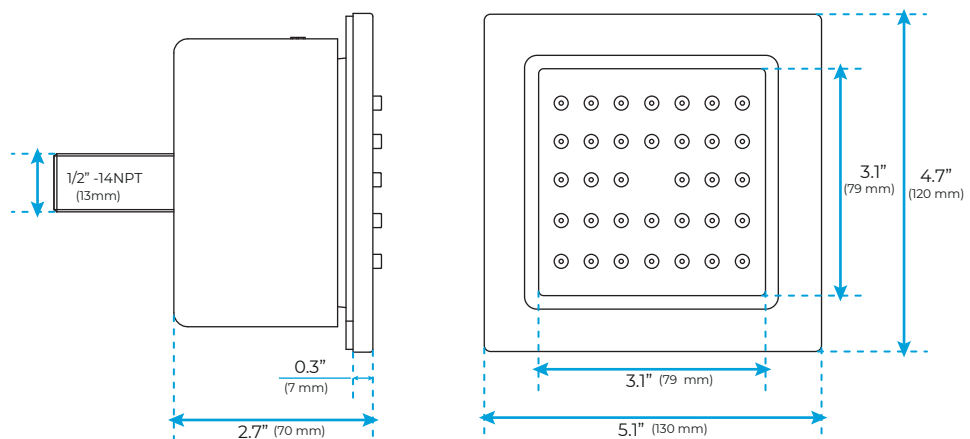


Mixer Connections



Flow Rate: 2.0 GPM / 7.6 LPM

Body Jets



- FEATURES**
- Material: Brass
 - Base Plate Height: 5-1/8"
 - Base Plate Width: 5-1/8"
 - Jet Surface Area: 3-1/8"
 - Surface Depth: 1/4"
 - Adjustment Angle: 5°
 - Male NPT Connection: 1/2"
 - Maximum Flow Rate: 2.5 GPM (9.5L/min) max @ 80 psi

All dimensions and specifications are nominal and may vary. Use actual products for accuracy in critical situations.